



VPRFSGG365SS

PRIMA GAS 36" RANGE

GENERAL FEATURES	
Size	36"
Type	Gas
Timer	Bell Timer
Control Knobs	Chromed Pro Knob
Liquid Propane (LP)	LP Conversion Kit Included
Power Requirements	120 Volt 60Hz 15 Amp dedicated circuit
Warranty	2 years parts & labor within policy
COOKTOP FEATURES	
Burners	5 Sealed SABAF – 57,000BTU
Double Ring x 2	5,000 - 12,000 BTU
Semi-Rapid x 2	1,500 - 8,000 BTU
Dual Burner x 1	Dual Crown 1,100 - 17,000 BTU Inner Crown 1,100 – 2,800 BTU Outer Crown 5,000 - 14,200 BTU
Ignition Type	One-Touch, Instant with Safety Shut-off Thermocouple Feature
Grates	Continuous Cast Iron
Griddle	Optional
Wok Support Ring	Included – Cast Iron
OVEN FEATURES	
Interior Oven Dims.	5.0 cu.ft. / 30"W x 16"D x 15.5"H
Oven Power	21,000 BTU
Broil Element	Yes – Full Width, Closed Door
Broiler Power	15,000W
Functions	Bake, Convection Bake, Broil, Defrost, Fan Assist
Oven Door	Soft Close w/ 3 Pane Removable Glass
Oven Lights	2 LED
Oven Interior	Easy-clean enamel
Included Accessories	2 – standard racks, position adjustable 1 – broiler pan assembly
DIMENSIONS	
Width (in)	35 7/8
Height (in)	35 3/8" – 37 1/4"
Depth (in)	25 1/4"
Island Trim	3"H (available for purchase as accessory)

COLOR OPTIONS:



Stainless Steel
(SS)

MAIN FEATURES:



5 POWERFUL BURNERS
CONTINUOUS GRATES



5.0 CU.FT. OVEN CAPACITY



TEMP GAUGE &
PRO KNOB DESIGN



BRUSHED ALUMINUM HANDLE

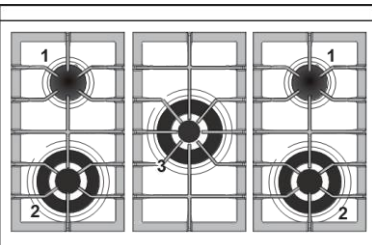


FULL-WIDTH STORAGE



SOFT-CLOSE OVEN DOOR

COOKTOP CONFIGURATION:



BURNER REF	MAX BTU
1	8,000
2	12,000
3 - Dual	17,000
3 - Inner	2,800
3 - Outer	14,200

OPTIONAL ACCESSORIES		
GLIDE RACK ASSEMBLY	Stainless Steel	VEGLIDE36-DES
SPACE SAVER SHELF	Stainless Steel	VESAV90
AIR FRY TRAY	Enameled	VEAFT90
TEPPANYAKI GRIDDLE	Stainless Steel	VEGRL300SS
STEAK GRIDDLE PAN	Cast Iron	VEGRD100C
SIMMER PLATE	Cast Iron	VEMSIM
SMALL POT REDUCER	Cast Iron	VEMSPR
COLOR KNOBS SET	Burgundy or Black	VEKNDGESBU/BLK

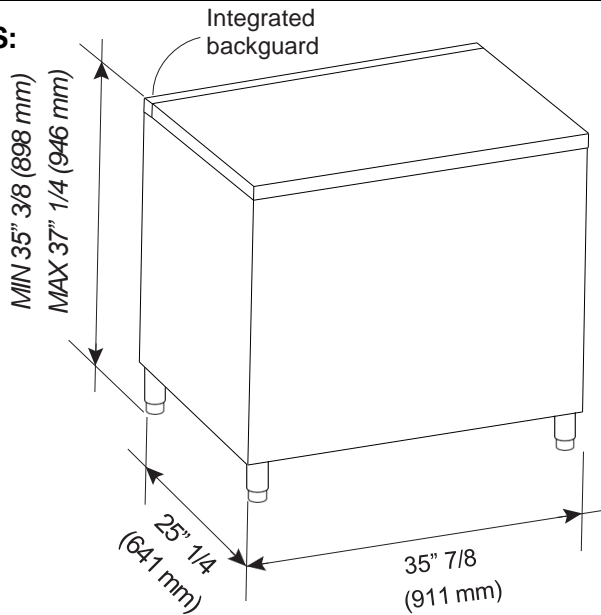


VPRFSGG365SS

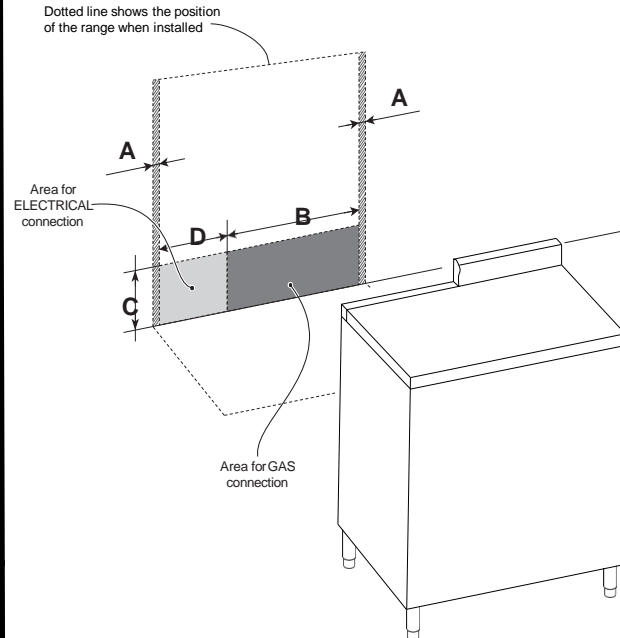
PRIMA 36" GAS RANGE

EuroChef USA | www.veronaappliances.com

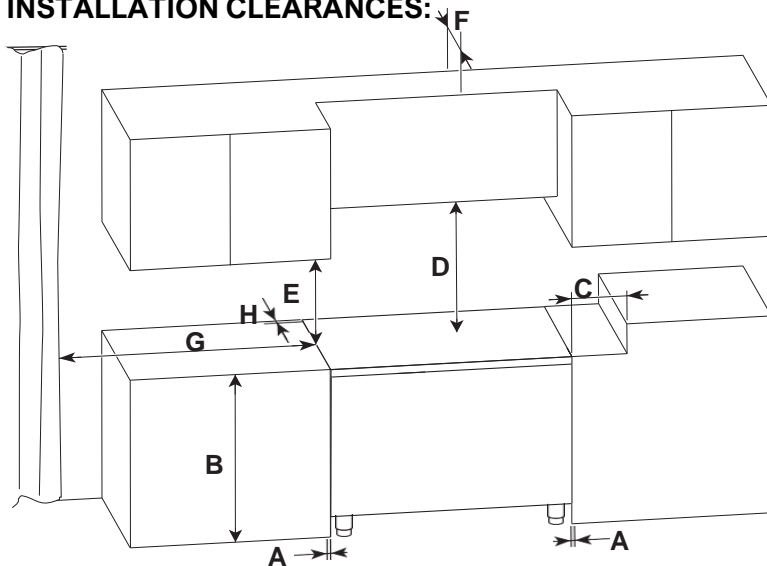
DIMENSIONS:



ELECTRICAL & GAS CLEARANCES:



INSTALLATION CLEARANCES:



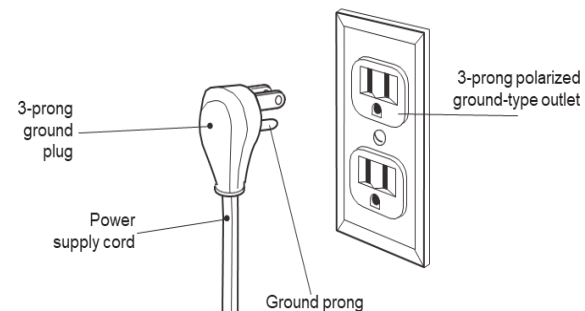
Ref.	inch	mm
A	7/32"	6
B	23" 9/16	599
C	8" 1/8 - 10" 1/8 (*)	207 - 257 (*)
D	11" 13/16	300

(*): Depending on appliance leg installation height

Ref.	inch	mm
A	0"	0
B	37" 1/2 (*)	953 (*)
C	11" 13/16	300
D	36" minimum	911 minimum
E	18" minimum	457 minimum
F	13" maximum	330 maximum
G	20" minimum	500 minimum
H	0"	0

(*) Maximum height of cabinetry immediately adjacent to the range (from floor to countertop). Depending on the height of the feet adjustment. The cooking surface must sit flush or above countertop level.

This range is equipped with a 3-prong ground plug. The cord must be plugged into a mating 3-prong ground-type outlet, grounded in accordance with the latest edition and local codes and ordinances.



SCAN HERE FOR COMPLETE
INSTALLATION AND USER MANUALS

