



Product code:

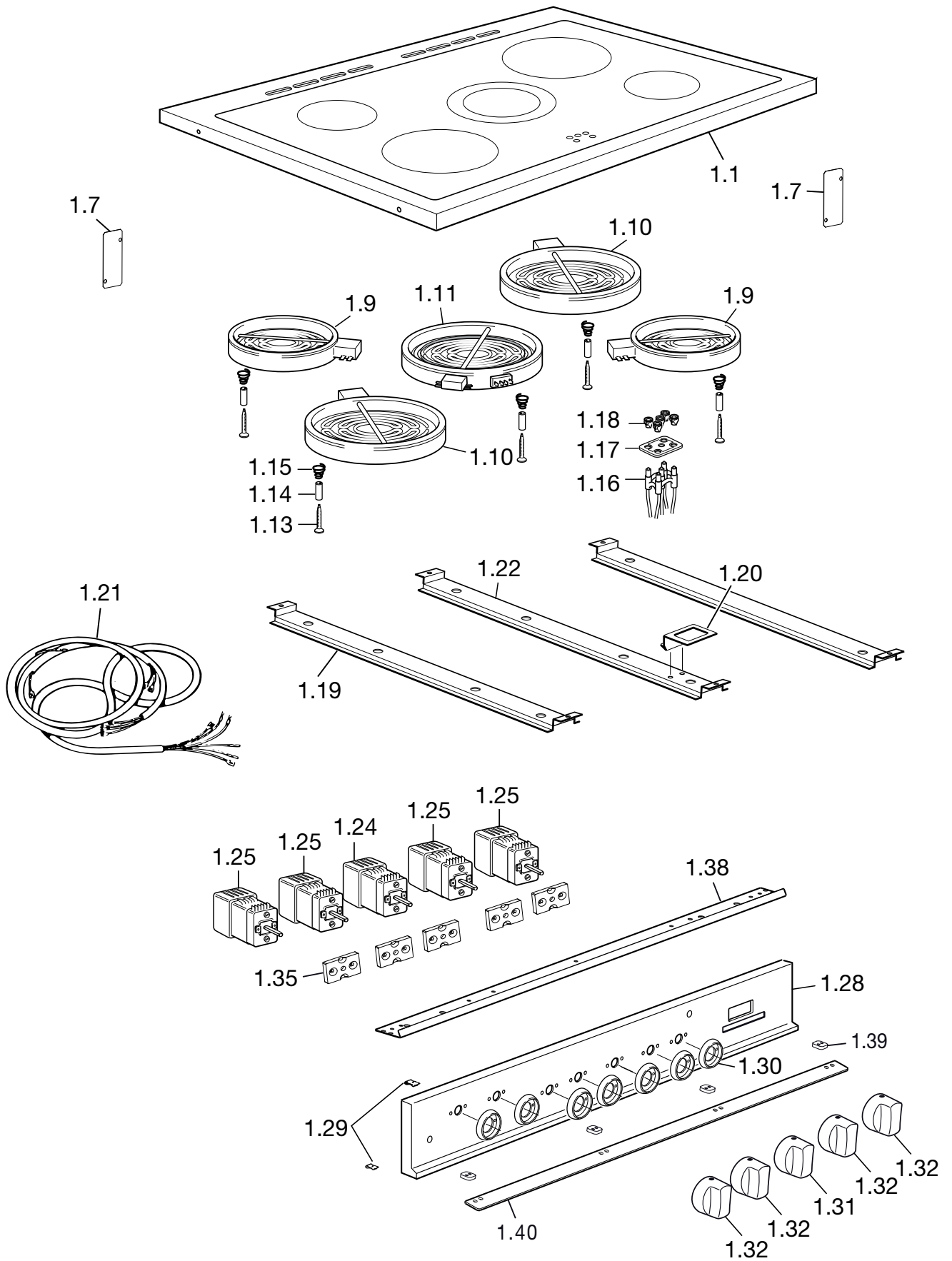
C360VR046X

Product: **Cooker**

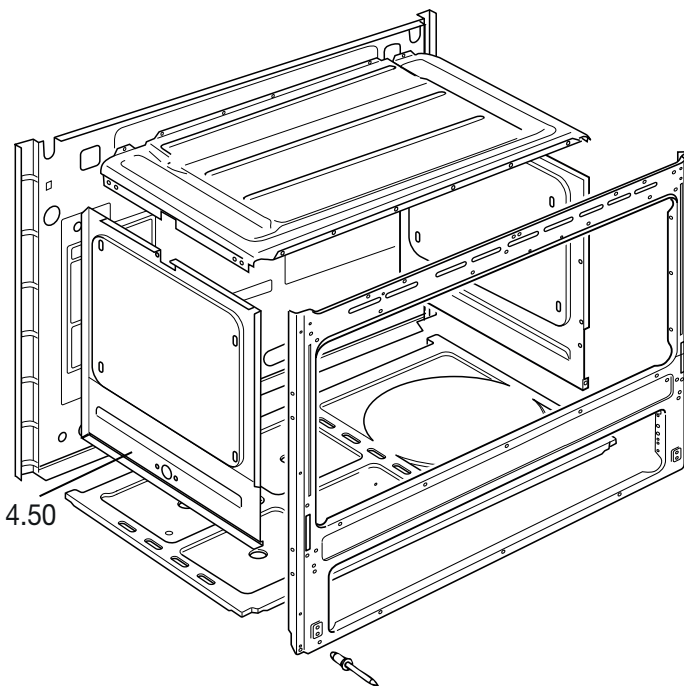
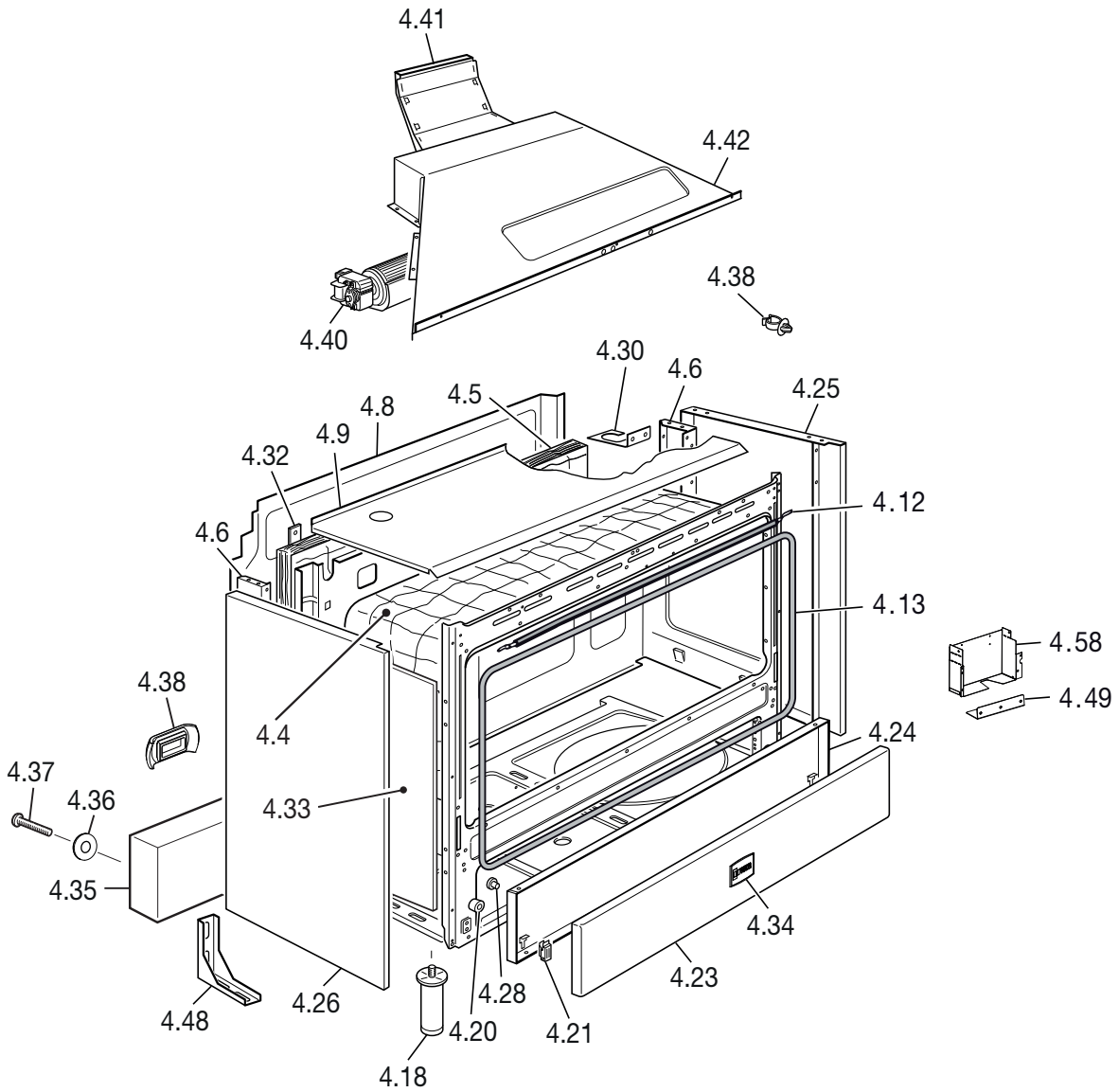
Model: **VPFSEE365SS**

Product code	Serial No.	Product remark	Issue No.	Issue Date
C360VR046X				June 2022

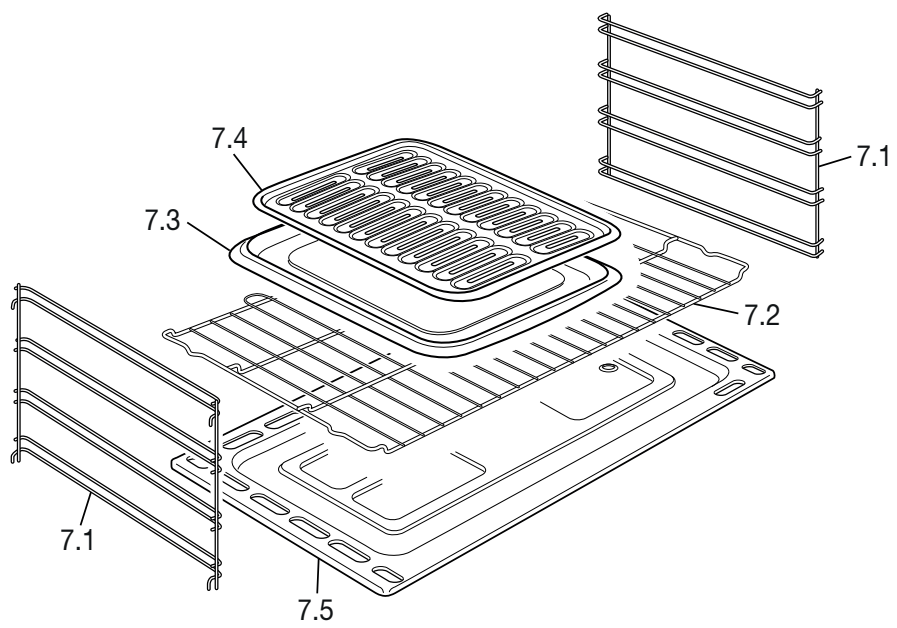
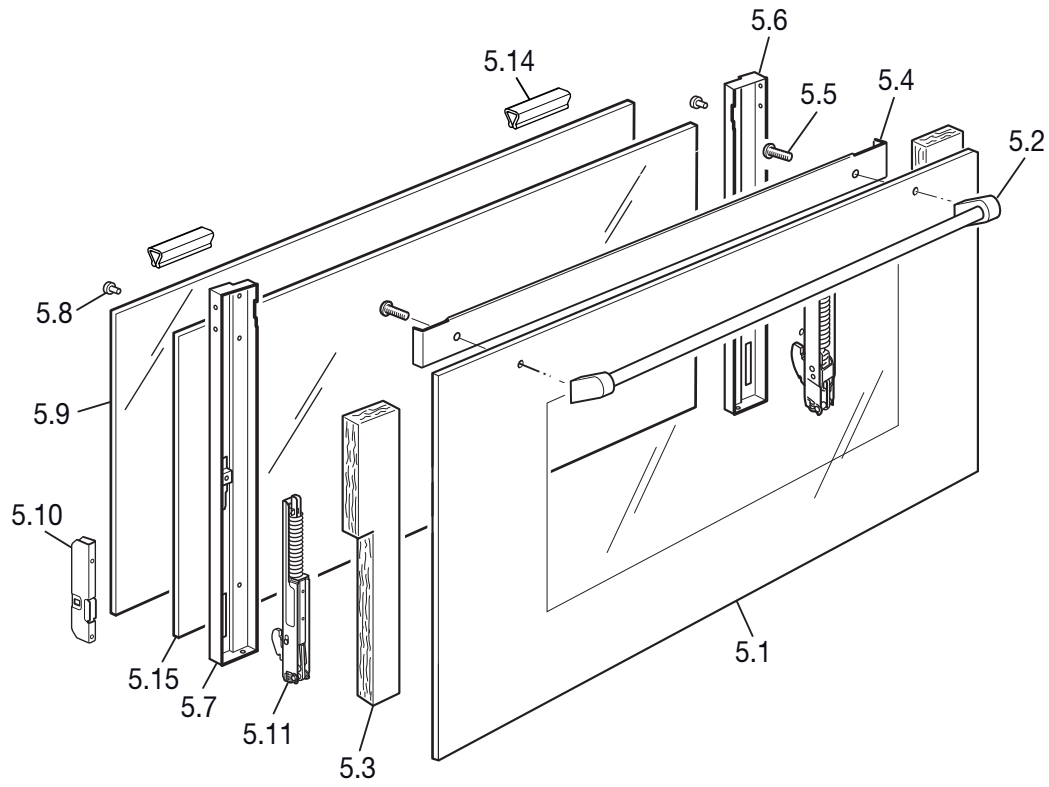
Key part information	



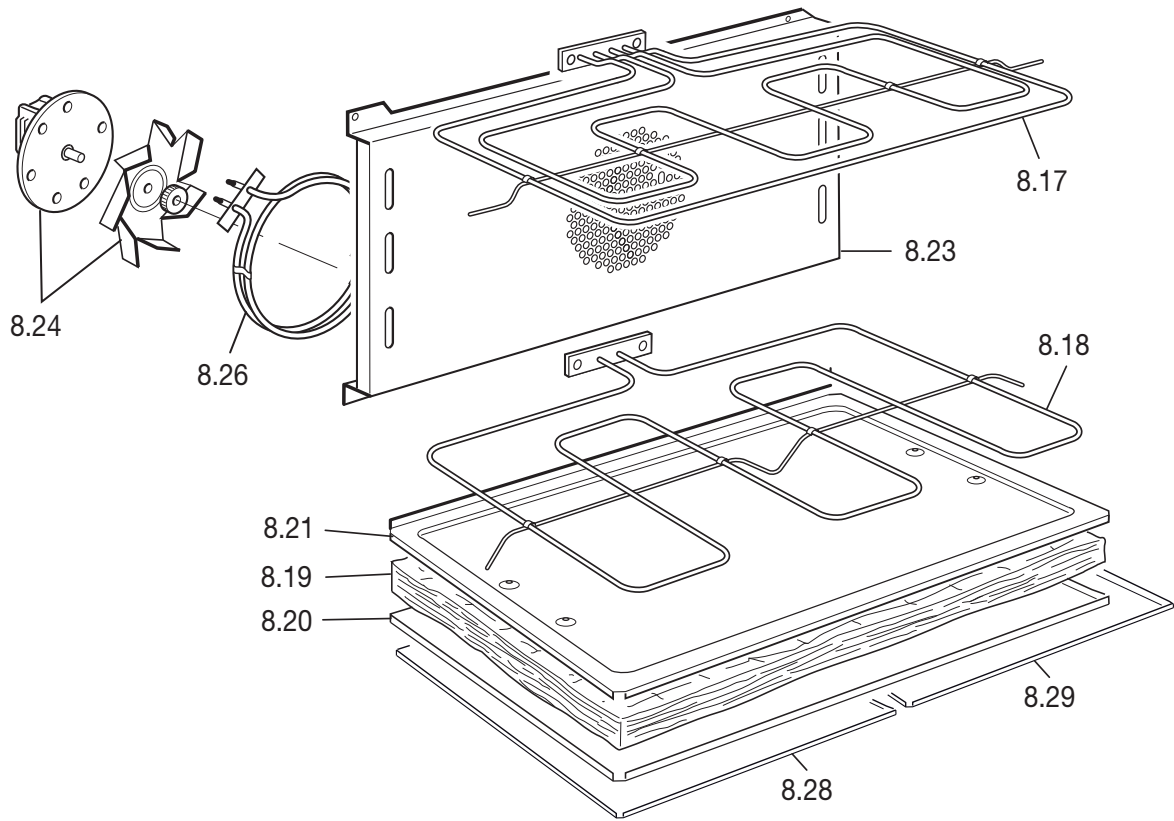
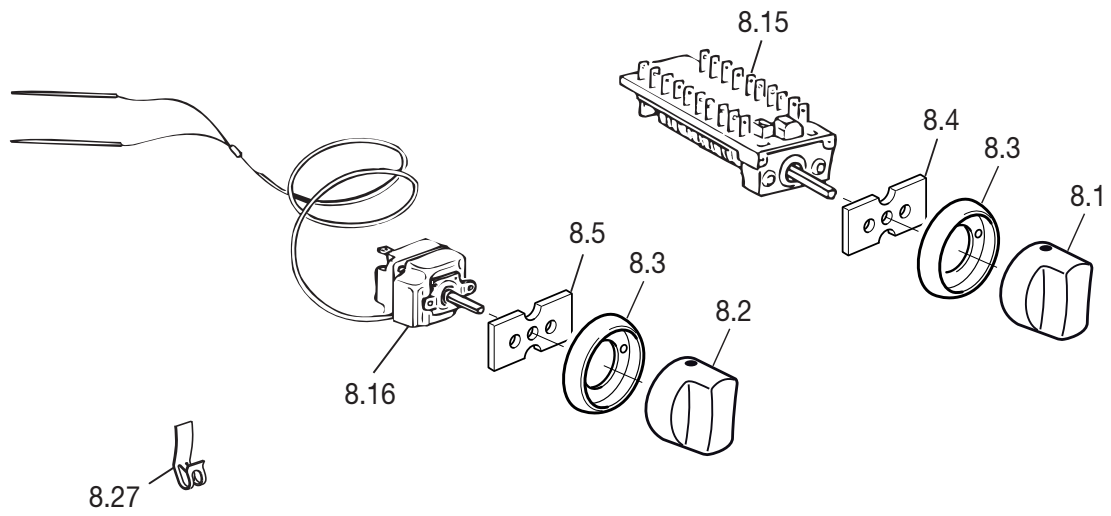
Ref.	Part description	Product code	
		C360VR046X	
		Feature	Part code
1.1	Hob top		355VC3603
1.7	Rear bracket		094725
1.9	Radiant hotplate	Ø140 1200 W 240 V	04777240
1.10	Radiant hotplate	Ø175 1700 W 240 V	04778240
1.11	Radiant hotplate	Ø230 2100 W 240 V	04779240
1.13	Screw		001111
1.14	Spacer		085043
1.15	Spring		035075
1.16	Control lamp		073078
1.17	Control lamp plate		1031134
1.18	Control lamp support		1031121
1.19	Hotplates support		51B9S02
1.20	Control lamp support		094408
1.21	Hotplate wiring		1132305
1.22	Central hotplates support		51B3607
1.24	Energy regulator 2C	240 V	050128240
1.25	Energy regulator 1C	240 V	050127240
1.28	Control panel		35C3621LVR
1.29	Clip		213007
1.30	Knob ring		103880L
1.31	Energy regulator 2C knob		2183C0E375
1.32	Energy regulator 1C knob		2183B9E375
1.35	Switch spacer		103948
1.38	Upper control panel trim		1031102
1.39	Spacer		1031234
1.40	Control panel deflector		51B3608



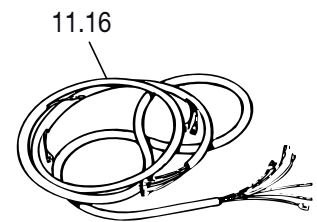
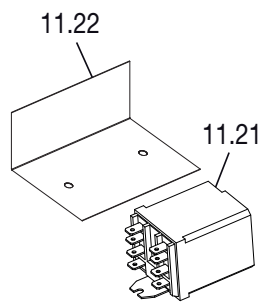
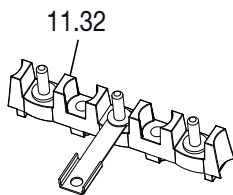
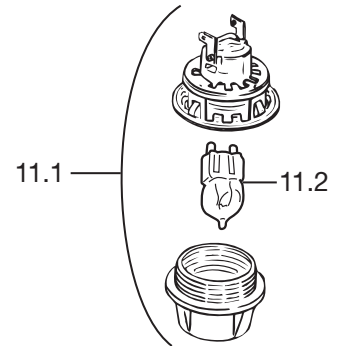
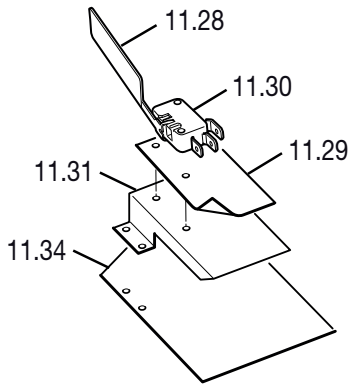
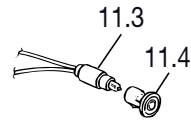
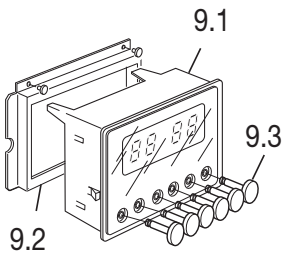
Ref.	Part description	Product code	
		C360VR046X	
		Feature	Part code
4.4	Oven insulation		030267
4.5	Rear insulation		030213
4.6	Side panel extension		51B3602
4.8	Rear panel		4113603
4.9	Upper shelter		4213602Z
4.12	Seal		053095
4.13	Seal		053101
4.18	Shim		1032060
4.20	Buffer		040061
4.21	Hinge		063075
4.23	Front panel		371V3604L
4.24	Inside panel		373V3601A
4.25	Side panel right		36C36D2S.1
4.26	Side panel left		36C36S2S.1
4.28	Rubber		040012
4.30	Extension pipe support		094559
4.32	Rear insulation support		4219604Z
4.33	Hinge protection		4216108Z
4.34	Badge		081093
4.35	Counterbalance	4,9 Kg	1032061
4.36	Washer		003061
4.37	Screw		001346
4.38	Rear panel plug		081097
4.40	Tangential fan	120 V 60 Hz	079041
4.41	Air outlet chamber		46A3607Z
4.42	Air intake chamber		46A3602Z.1
4.48	Anti-tilt bracket		094912
4.49	Power cord bracket		094836
4.50	Oven frame		441361EM02
4.58	Terminal block protection		094729



Ref.	Part description	Product code	
		C360VR046X	
		Feature	Part code
5.1	Door glass		03236018
5.2	Door handle		037220062
5.3	Side door insulation		030187.1
5.4	Trim handle		51B9S12A
5.5	Screw		001273
5.6	Right door trim		51A9S11DA
5.7	Left door trim		51A9S11SA
5.8	Buffer		040056
			040078
5.9	Inner glass		0313111TH
5.10	Door hinge (female)		063148
5.11	Door hinge (male)		063151
5.14	Seal		053157
5.15	Inner middle glass		03236022
7.1	Shelfsupport		217672
7.2	Ovenshelf		217673
7.3	Broiler pan tray		48B6105G
7.4	Broiler pan		48E6104G
7.5	Oven floor		47E3601G



Ref.	Part description	Product code	
		C360VR046X	
		Feature	Part code
8.1	Oven switch knob		2183E4E375
8.2	Oven thermostat knob		2183E5E375
8.3	Knob ring		103880L
8.4	Oven switch spacer		103948.1
8.5	Oven thermostat spacer		103948
8.15	Oven switch		050088
8.16	Oven thermostat		066185
8.17	Top + grill element	240 V	062150001
8.18	Bottom element		062149001
8.19	Bottom element insulation		030076.1
8.20	Bottom element support		4219602Z
8.21	Bottom element support		4219605Z
8.23	Fan diffuser		47A9601G.2
8.24	Complete oven fan	120 V 60 Hz	079042
8.26	Fan element	240 V	062148001
8.27	Clip		213025
8.28	Bottom protection plate (Left)		4216N03Z
8.29	Bottom protection plate (Right)		4213609Z



Ref.	Part description	Product code	
		C360VR046X	
		Feature	Part code
9.1	Electronic programmer	240 V 50-60 Hz	074112
9.2	Electronic programmer housing		094837
9.3	Button		1031668
11.1	Lamp holder		072038
11.2	Lamp	125 V 25 W	073114
11.3	Control lamp		073078
11.4	Control lamp cover	Red	07306202.2
11.16	Wiring		1132936
11.21	Relay		103855
11.22	Relay insulator		039059
11.28	Microswitch blade		094531
11.29	Microswitch insulation		039060
11.30	Microswitch		077079
11.31	Microswitch support		094532
11.32	Terminal block		051064
11.36	Cut-off thermostat	80 °C	066145
		150 °C	066073
		55 °C	066080
-	Users operating instructions		1106421
-	Installation instructions		1106422