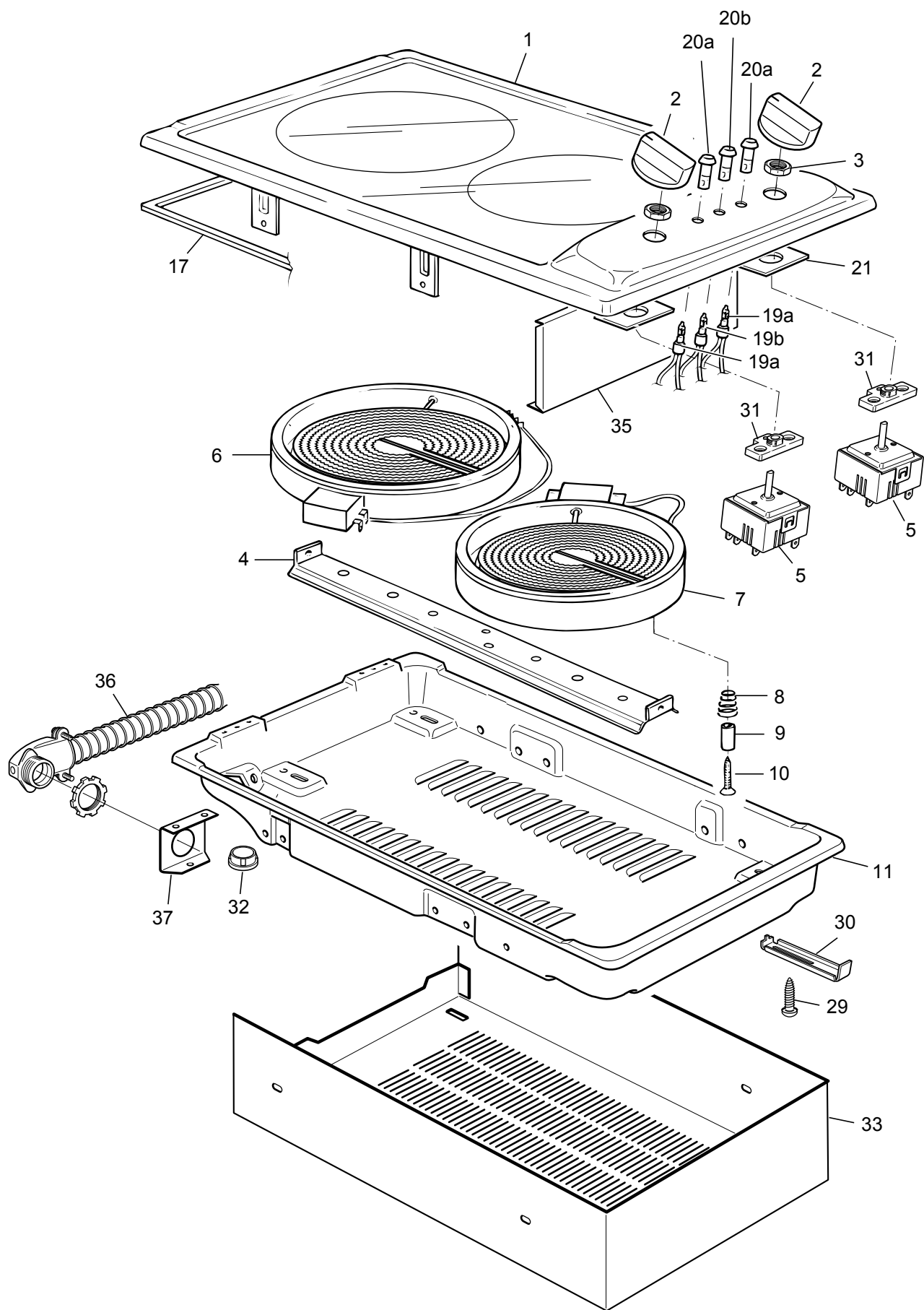


Product: **Built-in
ceramic cooktop**

Model: **VEECT110VFSS**

Product code	Serial No.	Product remark	Issue No.	Issue Date
P3C0VR002X				September 2011



Ref.	Part description	Product code	
		P3C0VR002X	
		Feature	Part code
1	Glass with frame		3553C85
2	Knob		2183007363
3	Nut		214063
4	Fixing plate		51B3C01
5	Energy regulator		050064120
6	1 circuit hotplate Ø 180	1400 W - 120 V	04778120
7	1 circuit hotplate Ø 145	1000 W - 120 V	04777120
8	Spring		035075
9	Spacer		085043
10	Screw		001111
11	Inner casing		4113C06
17	Seal		053065
19a	Control lamp		073077
19b	Control lamp		073077
20a	Control lamp cover (red)		07306202.2
20b	Control lamp cover (orange)		07306201.2
21	Switch seal		053055
29	Screw		001221
30	Bracket		094496
31	Energy regulator support		103210.1
32	Cable save		052013
33	Casing		4113C07
35	Controls protection		4213C01Z
36	Flexible conduit		6803C02
37	Flexible conduit support		094600
-	Wiring		1131608
-	Instruction booklet		1103931